

Meniscal Cinch™ II

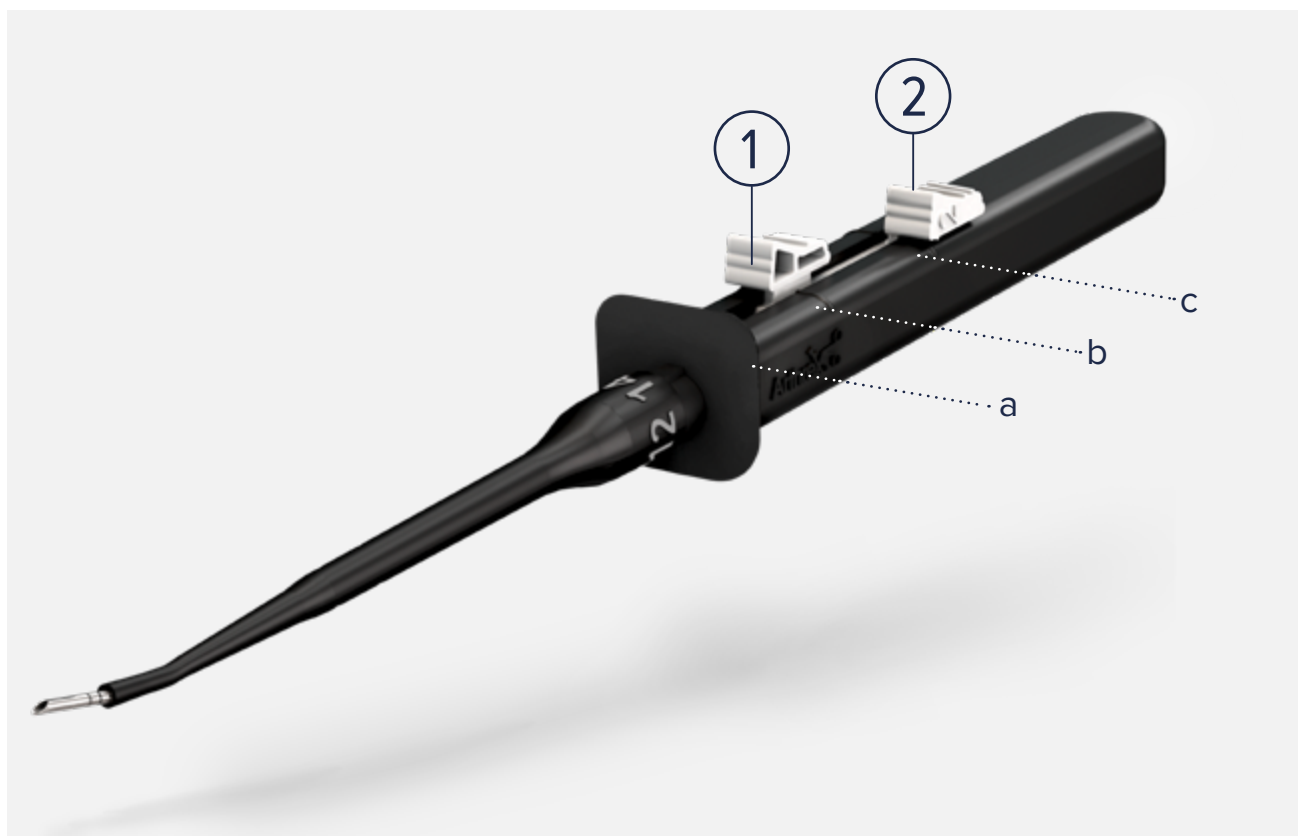
Surgical Technique



Indication and Procedure

The Meniscal Cinch II brings All-Inside meniscal repair to a new level of simplicity and safety. It allows true one-handed use with minimal deployment steps. The low profile needle deploys small implants with limited needle exposure. Low profile # 2-0 FiberWire suture with a pre-tied knot tensions easily and facilitates secure, low profile, vertical or horizontal suture repairs.

Product Description



- Implant # 1 comes preloaded at trigger position **b** and is deployed by pushing trigger 1 to position **a**
- Implant # 1 is flipped into position by pulling trigger 1 back until it reaches position **c**
- Implant # 2 is fixed following the same workflow with trigger 2
- Afterwards the Meniscal Cinch II is pulled out of the joined joint and the repair site is fixed by reducing the suture slack with the pre-tied # 2-0 FiberWire
- The use of a knot pusher is recommended to align the knot on the meniscus

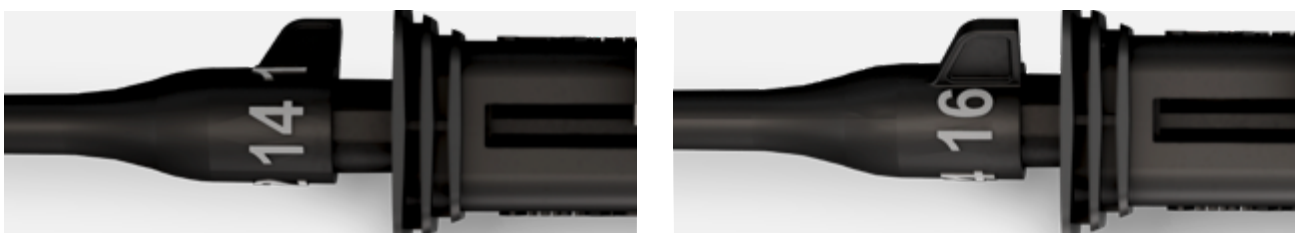
Atraumatic Needle

The needle tip of the Meniscal Cinch II is designed to be as atraumatic to the meniscus as possible. The cutting tip and round diameter completely contain the implant, unlike slotted needle designs. The Meniscal Cinch II design reduces tearing of the tissue during implantation and leaves small, clean perforations – less likely to expand or result in suture tear-through. The small diameter needle tip is cut at a precise angle and sharpened to reduce penetration force through the meniscus. The proximal needle is reinforced to increase stiffness and reduce bending during insertion.

Adjustable Depth Stop



The adjustable depth stop facilitates insertion into the joint by concealing the needle in the retractable depth stop sheath.

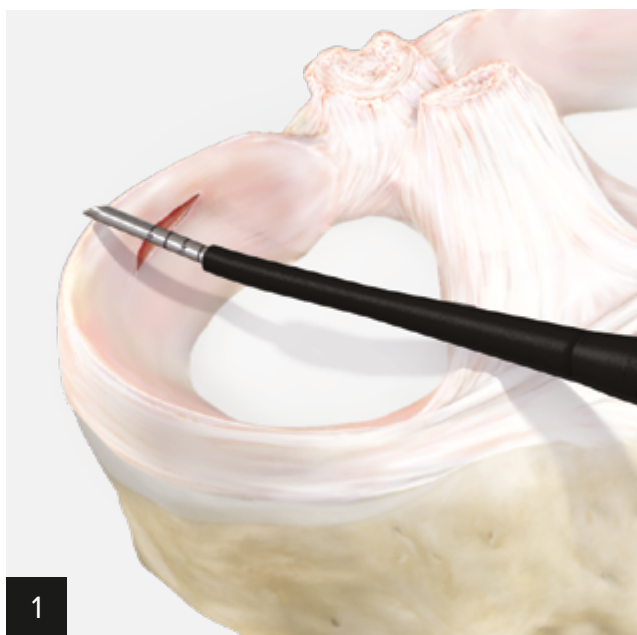


The depth stop is quickly advanced and rotated to different lengths depending on the thickness of the meniscal tissue. 2 mm increment depth markings on the needle tip allow intraoperative measuring and visual feedback on the depth of needle penetration.

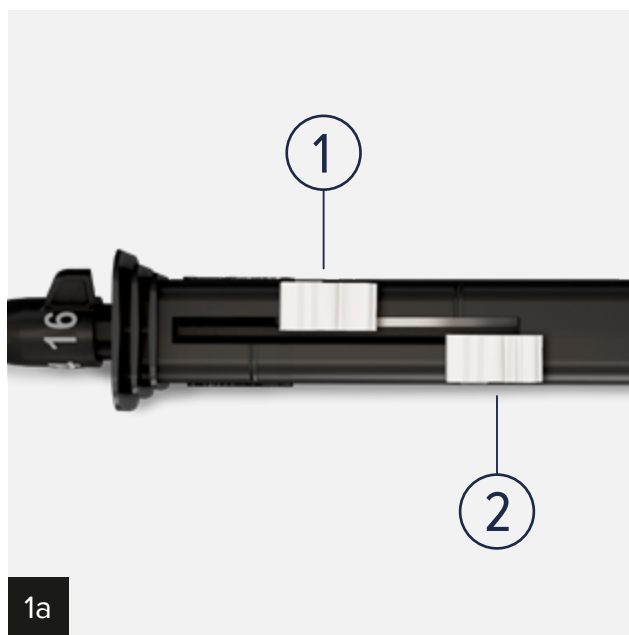
Active Implant Deployment



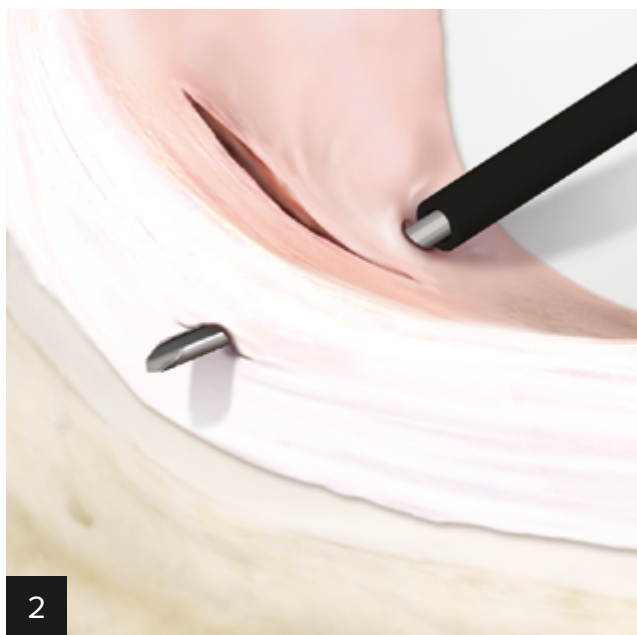
Ultra low profile implants are expelled from the tip of the needle, reducing the depth of penetration beyond the meniscus.



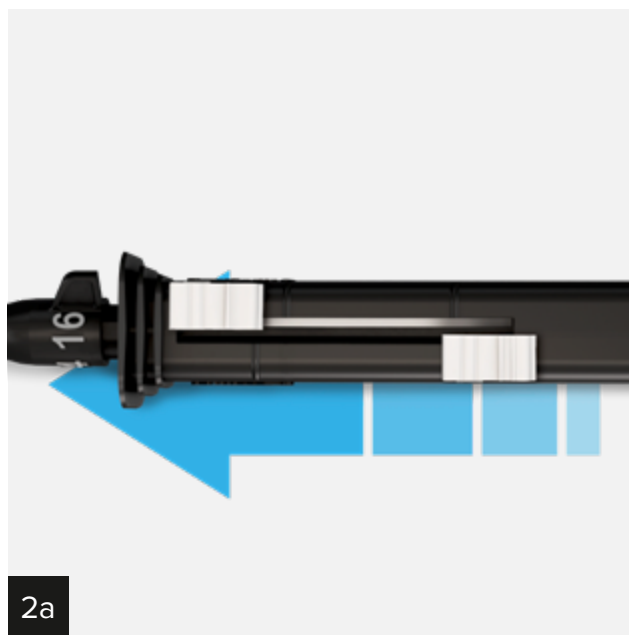
The meniscus can be measured using a meniscal measurement probe or the laser lines on the tip of the Meniscal Cinch II needle. The depth stop can be set at a length 2 mm longer than the meniscus to ensure the implant is deployed fully, behind the meniscus. For instance, if the meniscus measures 14 mm, set the depth stop to 16 mm.

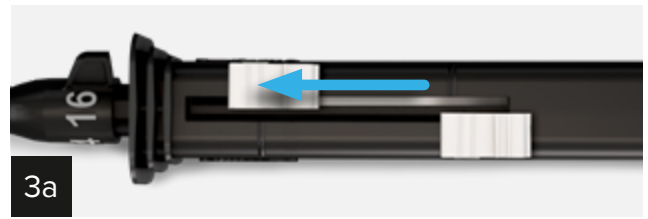
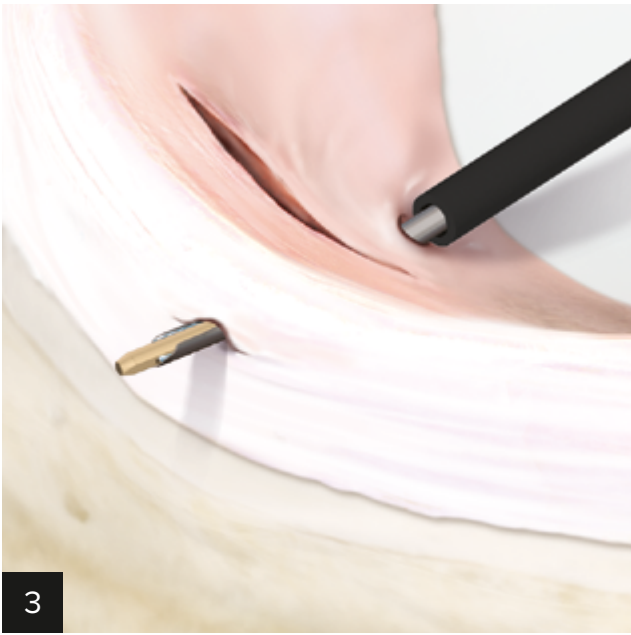


Meniscal Cinch II comes with preloaded implant # 1. Trigger 1 is now set in advanced position.



Place the needle over the desired entry point for the first implant. Advance the needle through the meniscus by pushing the entire handpiece forward until the desired depth is reached.





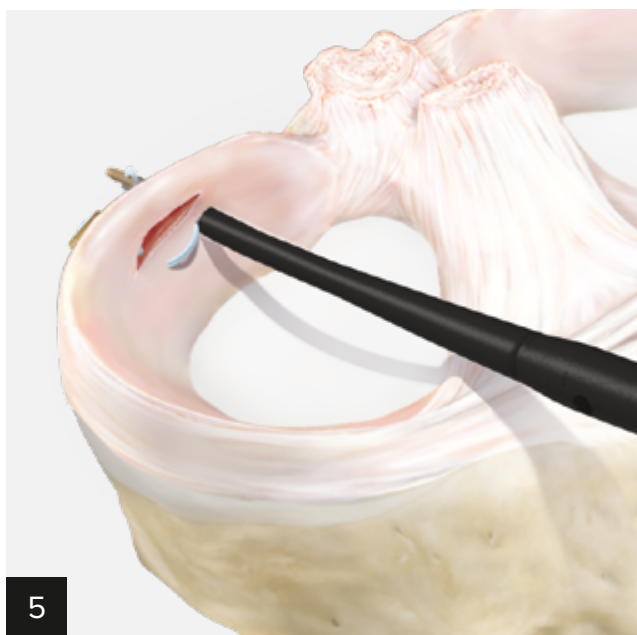
Push trigger 1 until it hits the depth stop. This allows implant #1 to deploy completely out of the needle.



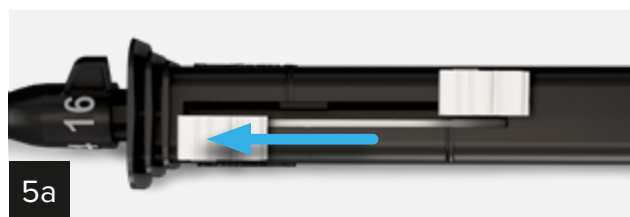
To flip implant # 1 in position, pull trigger 1 back until it snaps into the final position. Here trigger 1 is locked and cannot be moved anymore.



Advance implant # 2 into the needle tip by pushing the trigger 2 partially until it docks to the trigger bump. Before penetrating the meniscus with the needle, make sure that the needle slot is in line with the suture in order to allow the suture to slip into the slot. This avoids the risk of suture fraying during needle penetration.



Advance the needle through the meniscus by pushing the entire handpiece forward until the desired depth is reached.



Push trigger 2 until it hits the depth stop. This allows implant # 2 to deploy completely out of the needle.



For final implant positioning and flipping, trigger 2 is pulled back into final position, equal to trigger 1.



Remove the Meniscal Cinch II handpiece from the joint and load the tail of the suture into the threader of the knot pusher / suture cutter. Pull on the black tab of the threader to pass the suture into the tip of the knot pusher / suture cutter.



Advance the knot pusher down to the meniscus. Pull on the suture to remove suture slack and tighten the implant knot. Note: The knot will tighten down over implant # 1.



After the desired tension is obtained and the tear is reduced, pull tension on the suture and advance the black trigger forward to cut the suture tail.



After the desired tension is obtained and the tear is reduced, pull tension on the suture and advance the black trigger forward to cut the suture tail.

Ordering Information

Product Description	Item Number
Meniscal Cinch™ II with curved needle	AR-4501

Accessories

Product Description	Item Number
Portal skid	AR-4505
Knot pusher / suture cutter	AR-5815
Suture cutter, straight, # 2-0 suture only, Ø 2.75 mm	AR-11790
Meniscal Viper™ sizing probe	AR-13920P

Products advertised in this brochure / surgical technique guide may not be available in all countries. For information on availability, please contact Arthrex Customer Service or your local Arthrex representative.



This description of technique is provided as an educational tool and clinical aid to assist properly licensed medical professionals in the usage of specific Arthrex products. As part of this professional usage, the medical professional must use their professional judgment in making any final determinations in product usage and technique. In doing so, the medical professional should rely on their own training and experience, and should conduct a thorough review of pertinent medical literature and the product's Directions For Use. Postoperative management is patient specific and dependent on the treating professional's assessment. Individual results will vary and not all patients will experience the same postoperative activity level and/or outcomes.

View U.S. patent information at www.arthrex.com/corporate/virtual-patent-marking

© Arthrex GmbH, 2019. All rights reserved. | www.arthrex.com | LT2-00113-EN_B